

IWAKI
ELECTROMAGNETIC
METERING PUMPS

EJ-R



Global Pump, Economical Price

The EJ Series provide precise chemical injection at a chemical injection with an economical cost. Universal voltage capability enables operation from 100 - 240VAC in virtually all countries. The EJ Series are compact, simple to operate and have outputs to 4.8L/H and a maximum pressure of 1.0MPa.



High Speed Performance

The EJ Series operate at 360 strokes-per-minute, providing high resolution chemical feed and high turndown capability. Most competitive products operate at slower speeds, resulting in slug feeding, accelerated diaphragm wear and poor feed control.

Universal Voltage

The Universal Voltage Function enables the EJ Series to operate at any AC voltage. The EJ Series also conform to global standards.

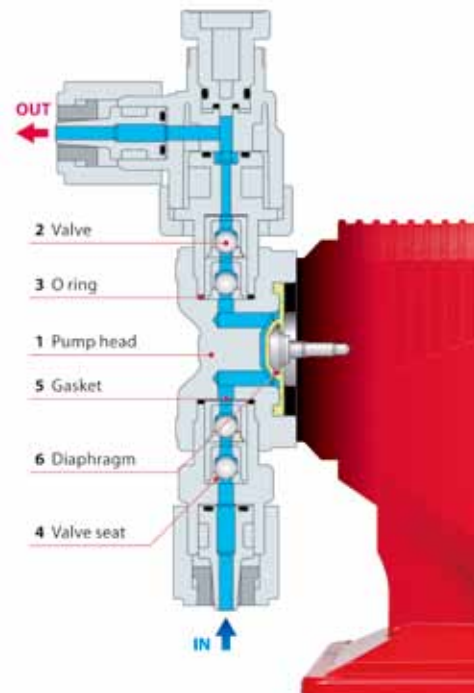
IP65 equivalent Protection

A robust housing protects the pump from normal wear. Mounting the Digital Display and Key Pad control within the drive housing creates a highly water resistant design. A clear cover further protects the pump from liquids.

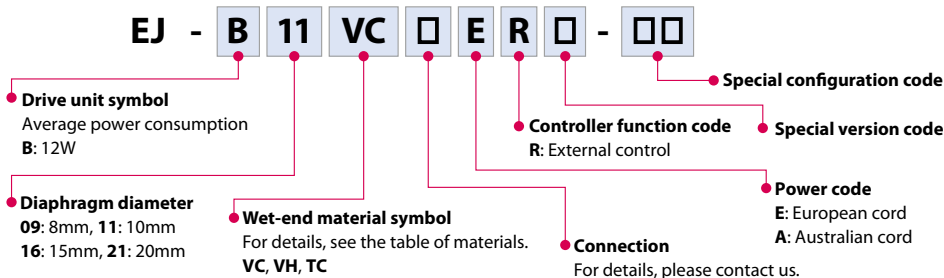
Wet-end materials

Material symbol	VC	VH	TC
1 Pump head	PVC		
2 Valve	Alumina ceramic	HC276	Alumina ceramic
3 O ring	FKM	EPDM	FKM
4 Valve seat	FKM	EPDM	FKM
5 Gasket	PTFE		
6 Diaphragm	PTFE+EPDM (EPDM is not wet end)		

PVC : Transparent polyvinyl chloride
 HC276 : Hastelloy C276
 EPDM : Ethylene-propylene rubber
 PVDF : Polyvinylidene difluoride
 FKM : Fluorine-contained rubber
 PTFE : Polytetrafluoroethylene



Pump identification



Specifications

Pump

Model		B11	B16	B21
Max. capacity	L/H	1.8	3.0	4.8
	mL/min	30	50	80
Max. discharge pressure	MPa	1.0	0.6	0.3
Stroke rate	spm	1 to 360		
Power consumption	W	12		
Current (Input)	A	0.8		
Weight	kg	1.5		

- The above information is based on pumping clean water at rated voltage and ambient temperature.
- Flow rates were collected at the maximum discharge pressure and 360spm.
- A flow rate increases as a discharge pressure decreases.
- Allowable ambient temperature: 0 to 40°C
- Allowable liquid temperature: 0 to 40°C
- Allowable power voltage deviation: ±10% of the rated voltage
- Noise level: 65dB at 1m (A scale)

Controller

Operation mode	Mode	Manual
Mode selection		EXT
		Key operation
Stroke rate	Setting range	1 to 360spm
	Spm programming	UP key
STOP function	Input signal	No-voltage contact or open collector ^{Note 1}
	Maximum spm	360spm
EXT mode	Pump behaviour	1 shots per signal ^{Note 2}
	Input signal	No-voltage contact or open collector ^{Note 1}
Monitors	LCD	7×3 LCD with three status codes
	LED	Green LED×1 (blinks at each shot)
Buffer		Non-volatile memory
Power voltage ^{Note 3}		100 to 240VAC 50/60Hz

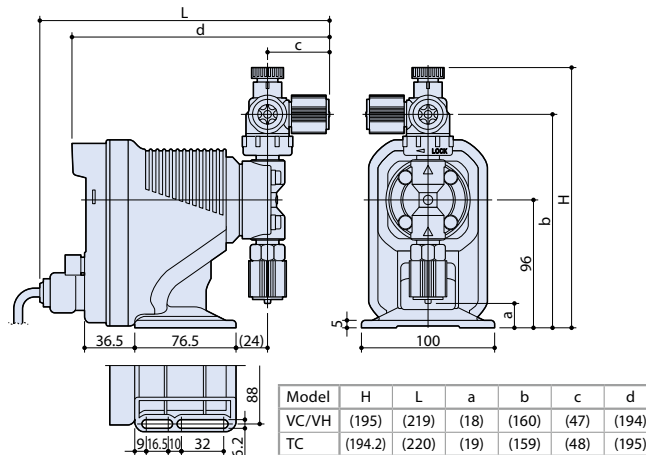
Note 1: The maximum applied voltage from the EJ to an external contact is 15V at 3mA.
 When using a mechanical relay, the minimum application load should be 3mA or below.
 Note 2: When the external pulse signal is entered to run the pump over the max spm, the signal is cancelled.
 Note 3: Observe the allowable voltage range of 90 to 264VAC. Otherwise failure may result.

IWAKI CO., LTD. 6-6 Kanda-Sudacho 2-chome Chiyoda-ku Tokyo 101-8558 Japan
 TEL: (81)3 3254 2935 FAX: 3 3252 8892

European office : IWAKI Europe GmbH
 Germany : IWAKI Europe GmbH
 Holland : IWAKI Europe GmbH (Netherlands Branch)
 Italy : IWAKI Europe GmbH (Italy Branch)
 Spain : IWAKI Europe GmbH (Spain Branch)
 Belgium : IWAKI Belgium N.V.
 Denmark : IWAKI Nordic A/S
 Finland : IWAKI Suomi Oy
 France : IWAKI France S.A.
 Norway : IWAKI Norge AS
 Sweden : IWAKI Sverige AB
 U.K. : IWAKI Pumps (UK) Ltd.

TEL: (49)2154 9254 0 FAX: 2154 9254 48
 TEL: (49)2154 9254 50 FAX: 2154 9254 55
 TEL: (31)74 2420011 FAX: (49)2154 925448
 TEL: (39)0444 371115 FAX: 0444 335350
 TEL: (34)93 37 70 198 FAX: 93 47 40 991
 TEL: (32)13 67 02 00 FAX: 13 67 20 30
 TEL: (45)48 24 2345 FAX: 48 24 2346
 TEL: (358)9 2745810 FAX: 9 2742715
 TEL: (33)1 69 63 33 70 FAX: 1 64 49 92 73
 TEL: (47)23 38 49 00 FAX: 23 38 49 01
 TEL: (46)8 511 72900 FAX: 8 511 72922
 TEL: (44)1743 231363 FAX: 1743 366507

Dimensions in mm



Optional accessories



• For details, please contact us.

⚠ Caution for safety use:
 Before use of pump, read instruction manual carefully to use the product correctly.

⚠ Legal attention related to export.

Our products and/or parts of products fall in the category of goods contained in control list of international regime for export control. Please be reminded that export license could be required when products are exported due to export control regulations of countries.

Actual pumps may differ from the photos.
 Specifications and dimensions are subject to change without prior notice.
 For further details please contact us.

